



# T-HP Series

**TIVER** Chemical Pump  
T-HP Series Self Priming Chemical Pump

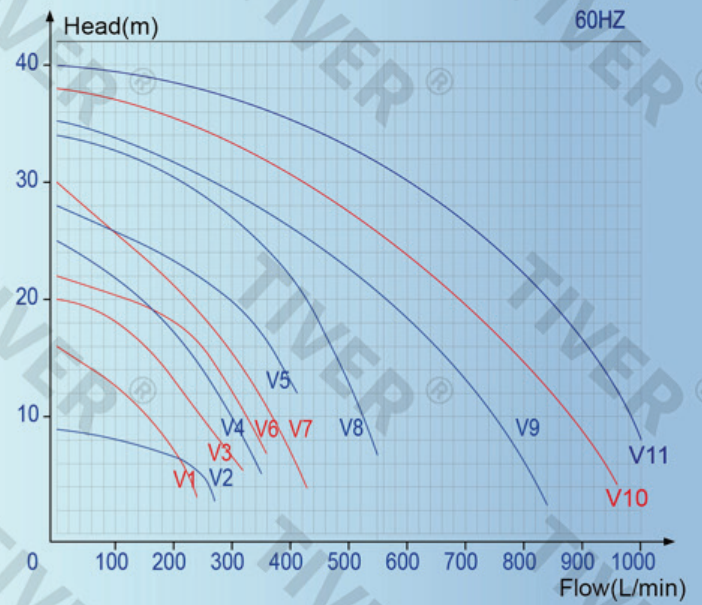
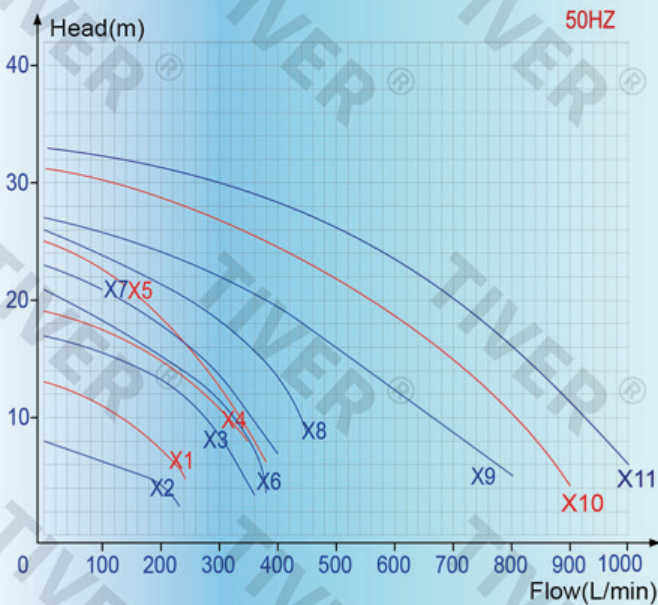


Applied New engineer technology. It is Durable, can resist high temperature, high pressure, and anti-corrosion.

Unique Mechanical Seal design. Self Cooling Now is Available.

Widely used for high capacity waste water transporting and all kinds of chemical pumping application.

## Performance Curve



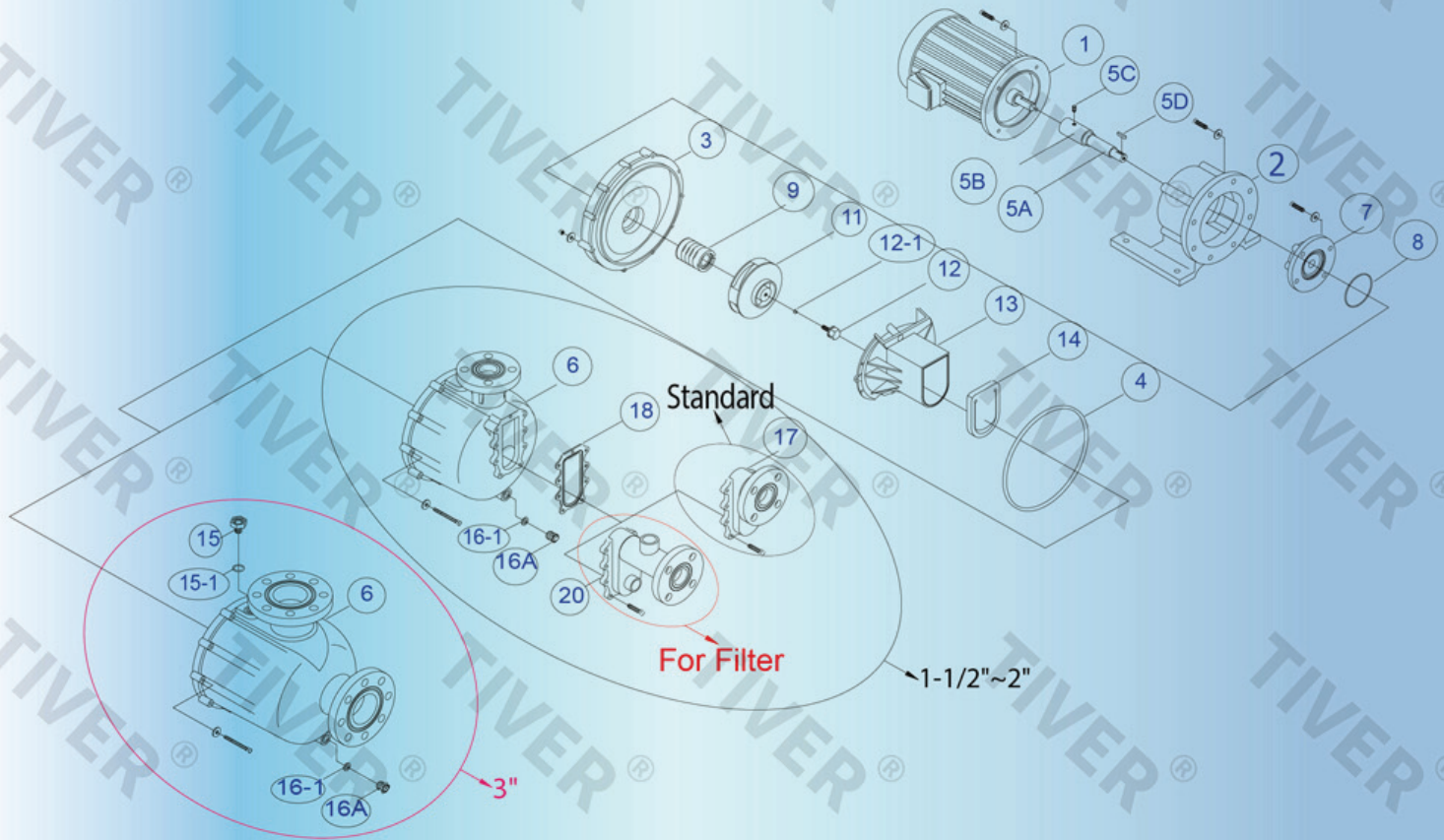
## Specification

Model	In/Out		Power			50HZ		60HZ		
	Flange	Phase	kw	Pose	Curve	Top.Head (m)	Max Flow (L/min)	Curve	Top.Head (m)	Max Flow (L/min)
T-HP 401H	1.5"	3	0.75	2	X1	13	240	V1	16	240
T-HP 401L	1.5"	3	0.75	4	X2	8	230	V2	9	270
T-HP 402L	1.5"	3	1.5	2	X3	17	360	V3	20	320
T-HP 402H	1.5"	3	1.5	2	X4	19	350	V4	25	350
T-HP 403	1.5"	3	2.2	2	X5	25	400	V5	28	410
T-HP 503L	2"	3	2.2	2	X6	21	380	V6	22	360
T-HP 503H	2"	3	2.2	2	X7	23	400	V7	30	430
T-HP 505H	2"	3	3.75	2	X8	26	450	V8	34	550
T-HP 755H	3"	3	3.75	2	X9	27	800	V9	35	860
T-HP 757H	3"	3	5.5	2	X10	31	900	V10	38	960
T-HP 7510H	3"	3	7.5	2	X11	33	1000	V11	40	1000

# Structure

## TIVER Chemical Pump

T-HP 0.75~3.75 kW, 1-1/2"~2" Flange.  
T-HP 3.75 kW, 3" Flange.

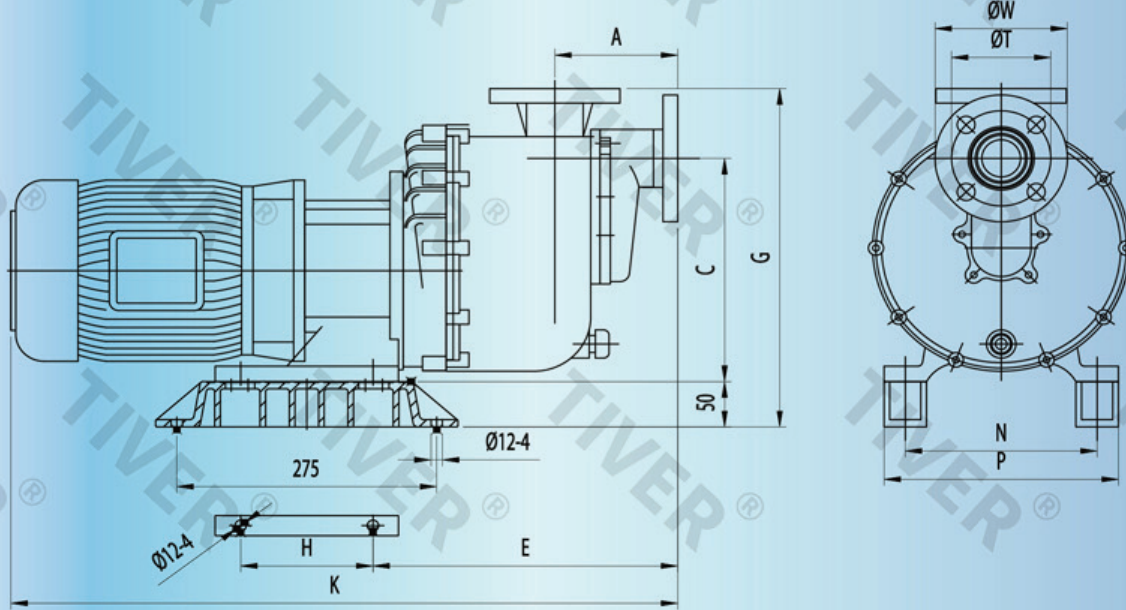


No.	Part Name	Material	No.	Part Name	Material
1	Motor	FC	11	IMPELLER	FRPP/PVDF
2	BASE FRAME	FRPP/FC	12	IMPELLER NUT	FRPP/PVDF
3	REAR COVER	FRPP/PVDF	12-1	IMPELLER NUT O-RING	EPDM/VITON
4	REAR COVER O-RING	EPDM/Viton	13	CHECK COVER	FRPP/PVDF
5	SHAFT	SUS	14	CHECK VALVE	EPDM
5-A	SHAFT SLEEVE	TEFLON	15	WATER FILING CAP (Optional)	FRPP/PVDF
5-B	SHAFT	SUS	15-1	WATER FILING CAP , O-RING (Optional)	EPDM/VITON
5-C	SHAFT SCREW	SUS	16A	DRAIN CAP	FRPP/PVDF
5-D	IMPELLER KEY	SUS	16-1	DRAIN CAP O-RING	EPDM/VITON
6	MAIN BODY	FRPP/PVDF	17	SELF-PRIMING COVER	FRPP/PVDF
7	REAR SEAL GROUP	FRPP/PVDF,SIC	18	COVER PACKING	EPDM/VITON
8	REAR SEAL O-RING	EPDM/VITON	20	SELF-PRIMING COVER For Filter	FRPP/PVDF
9	FRONT SEAL GROUP	TEFLON,SIC/CARBON			

# Dimension

**TIVER** Chemical Pump

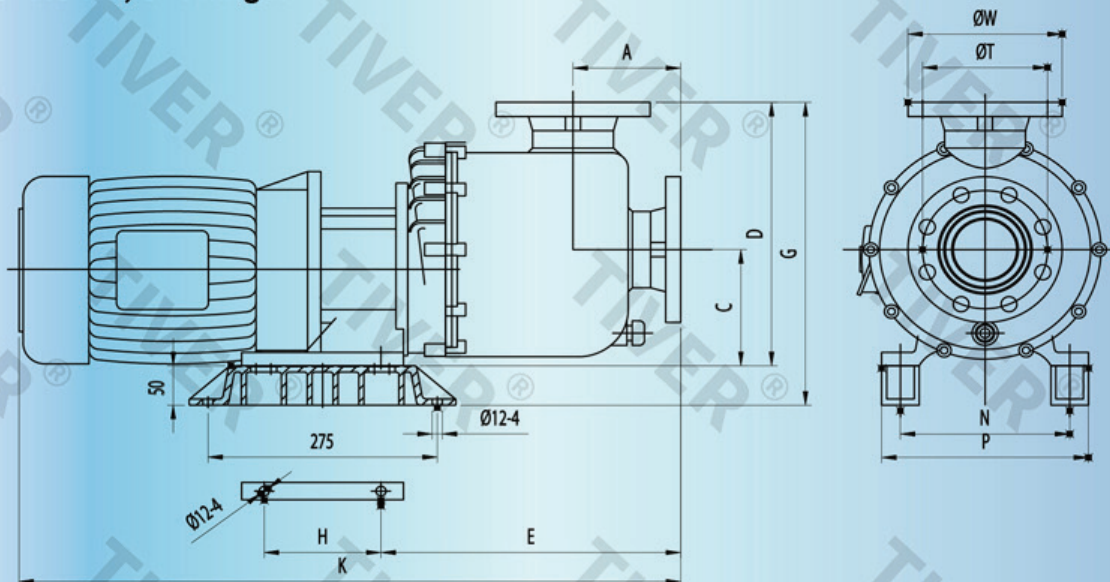
**T-HP 0.75~3.75 kW, 1-1/2"~2" Flange**



Unit:mm

MODEL	A	C	E	G	H	K	N	P	T	W
T-HP 401	128	250	313	375	140	623	205	250	105	140
T-HP 402	128	250	313	375	140	701	205	250	105	140
T-HP 403	128	250	313	375	140	701	205	250	105	140
T-HP 503	128	250	313	375	140	701	205	250	120	155
T-HP 505	128	250	313	375	140	740	205	250	120	155

**T-HP 3.75~7.5 KW, 3" Flange.**



Unit:mm

MODEL	A	C	D	E	G	H	K	N	P	T	W
T-HP 755	123	150	336	360	386	140	800	205	250	150	185